

Seiscon Connector Range



Source Connectors

Bolt Airgun - Heavy Duty	2
Ion (I/O) Sleeve Gun - Heavy Duty	3
Ion (I/O) Sleeve Gun - Firing	4
SSI 'G' and 'GI'	5

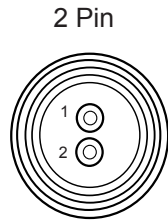
In-line Connectors

'RM' Style - Water Blocked	6
'SU' Style - Water Blocked 2-8 pin	7
'SU' Style - Water Blocked 16 pin	8

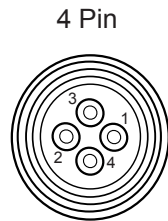
Bulkhead Connectors

'RM' Style - Straight Thread	9
'RM' Style - NPT Mount	10
'RM' Style - Flange Mount	11
'SU' Style - Straight Thread 2-4 pin	12
'SU' Style - Straight Thread 8-16 pin	13
'SU' Style - NPT Mount 2-4 pin	14
'SU' Style - NPT Mount 8 pin	15
'SU' Style - NPT Mount 8 pin	16
'SU' Style - Flange Mount 2-8 pin	17

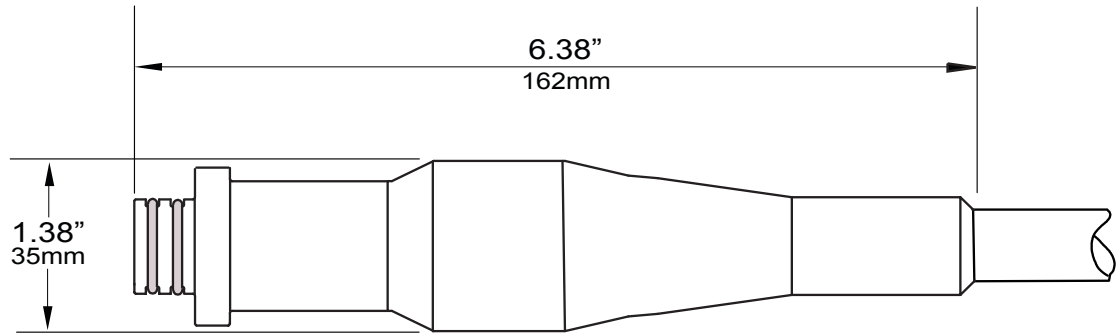
Bolt Airgun Connector - Heavy Duty



5600-350



5600-300



The Seiscon line of cable connectors and terminations sets the industry standard for durability and dependability in difficult operational environments.

Seiscon connectors are injection-molded directly onto purpose-built polyurethane-jacketed cable. This process produces an intimate fusion bond that results in an extremely rugged and durable cable assembly

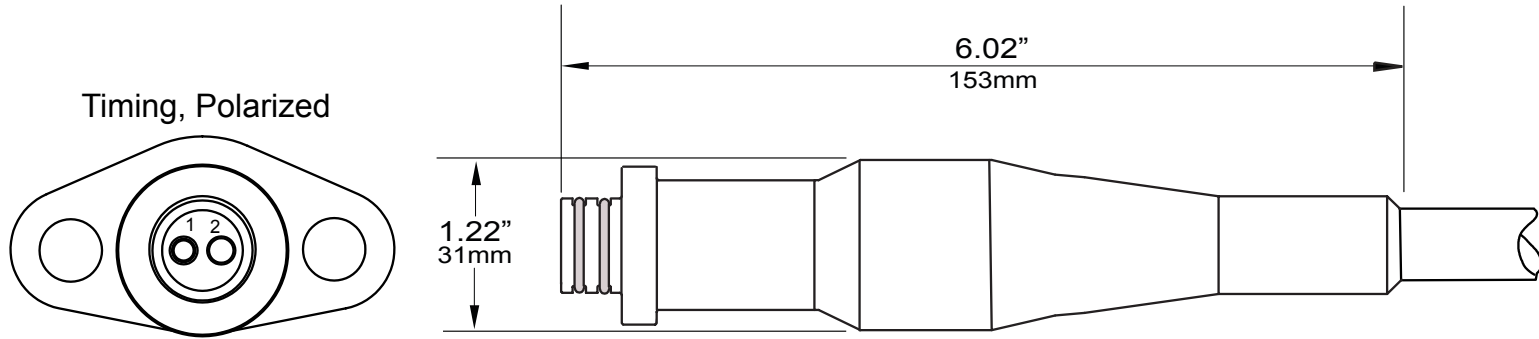
suitable for harsh environments with high pressure-shock loading. High strength beryllium-copper contacts, bodies and locking sleeves of 316 stainless steel serve to further increase service life.

A choice of purpose-built cables incorporating high strength conductors such as cadmium, copper and copper-clad steel complement these field-proven connectors.

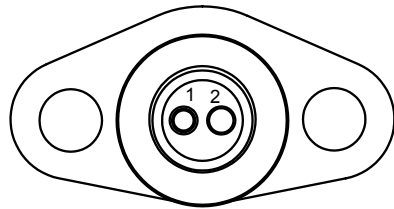
Geocable Systems
 10711 Cash Road
 Stafford, Texas 77477

Phone: 281 275 6630
 Fax: 281 240 5473
 e-mail: info@geocables.com

I/O Sleeve Air Gun Connector - Heavy Duty

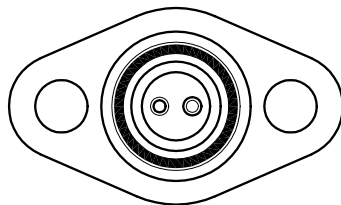


Timing, Polarized



7650017

Firing or Timing



7650142

The Seiscon line of cable connectors and terminations sets the industry standard for durability and dependability in difficult operational environments.

Seiscon connectors are injection-molded directly onto purpose-built polyurethane-jacketed cable. This process produces an intimate fusion bond that results in an extremely rugged and durable cable assembly

suitable for harsh environments with high pressure-shock loading. High strength beryllium-copper contacts, bodies and locking sleeves of 316 stainless steel serve to further increase service life.

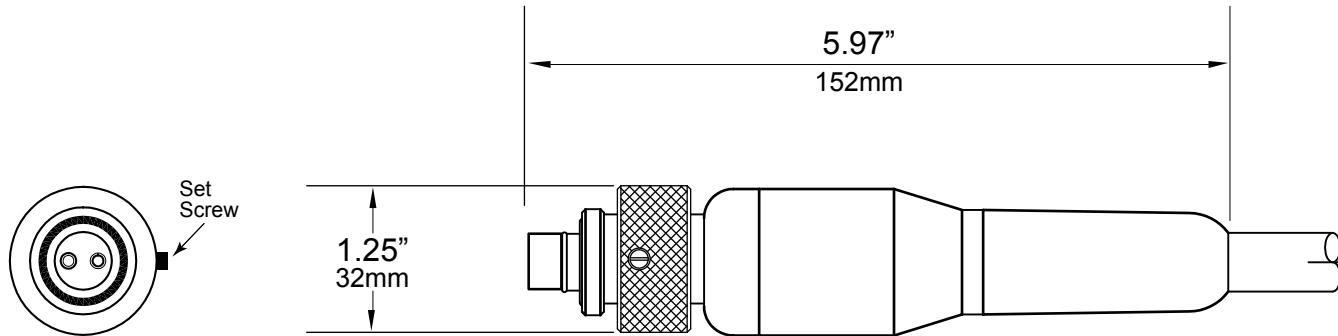
A choice of purpose-built cables incorporating high strength conductors such as cadmium, copper and copper-clad steel complement these field-proven connectors.

Geocable Systems
 10711 Cash Road
 Stafford, Texas 77477

Phone: 281 275 6630
 Fax: 281 240 5473
 e-mail: info@geocables.com

I/O Sleeve Air Gun Connector - Firing

5500-300



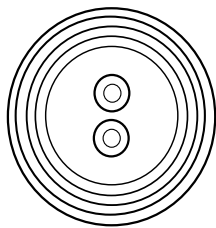
The Seiscon line of cable connectors and terminations sets the industry standard for durability and dependability in difficult operational environments.

Seiscon connectors are injection-molded directly onto purpose-built polyurethane-jacketed cable. This process produces an intimate fusion bond that results in an extremely rugged and durable cable assembly

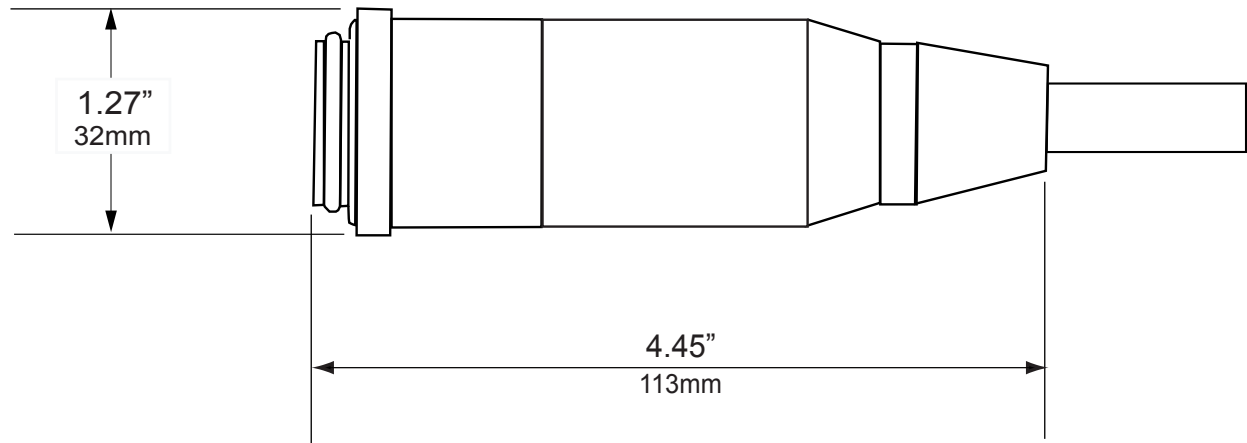
suitable for harsh environments with high pressure-shock loading. High strength beryllium-copper contacts, bodies and locking sleeves of 316 stainless steel serve to further increase service life.

A choice of purpose-built cables incorporating high strength conductors such as cadmium, copper and copper-clad steel complement these field-proven connectors.

SSI 'G' and 'GI' Airgun Connector



5700-000



The Seiscon line of cable connectors and terminations sets the industry standard for durability and dependability in difficult operational environments.

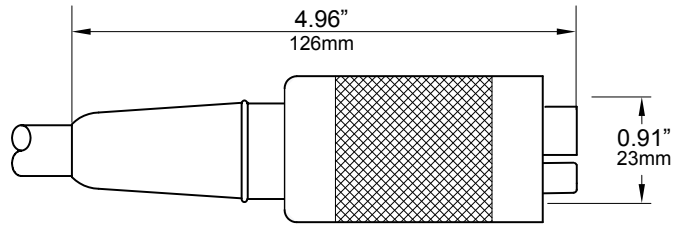
Seiscon connectors are injection-molded directly onto purpose-built polyurethane-jacketed cable. This process produces an intimate fusion bond that results in an extremely rugged and durable cable assembly

suitable for harsh environments with high pressure-shock loading. High strength beryllium-copper contacts, bodies and locking sleeves of 316 stainless steel serve to further increase service life.

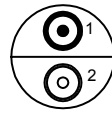
A choice of purpose-built cables incorporating high strength conductors such as cadmium, copper and copper-clad steel complement these field-proven connectors.

'RM' Style In-line Connectors

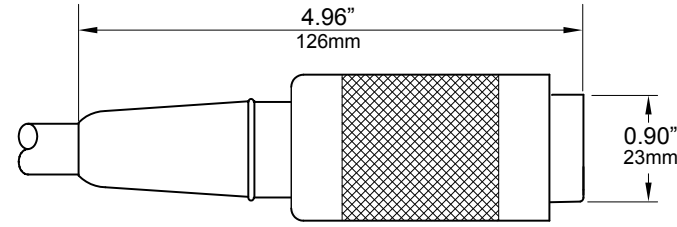
Water Blocked



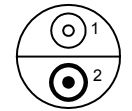
2 Pin Male



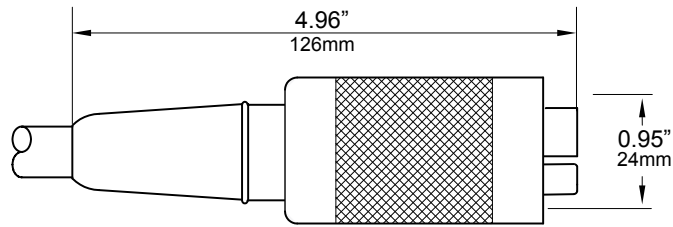
B-4080



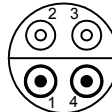
2 Pin Female



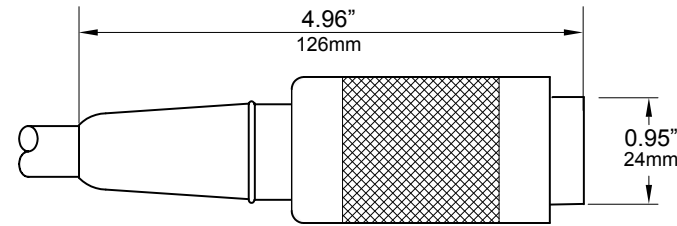
B-4273



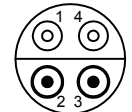
4 Pin Male



B-4089



4 Pin Female



B-4272

The Seiscon line of cable connectors and terminations sets the industry standard for durability and dependability in difficult operational environments.

Seiscon connectors are injection-molded directly onto purpose-built polyurethane-jacketed cable. This process produces an intimate fusion bond that results in an extremely rugged and durable cable assembly

suitable for harsh environments with high pressure-shock loading. High strength beryllium-copper contacts, bodies and locking sleeves of 316 stainless steel serve to further increase service life.

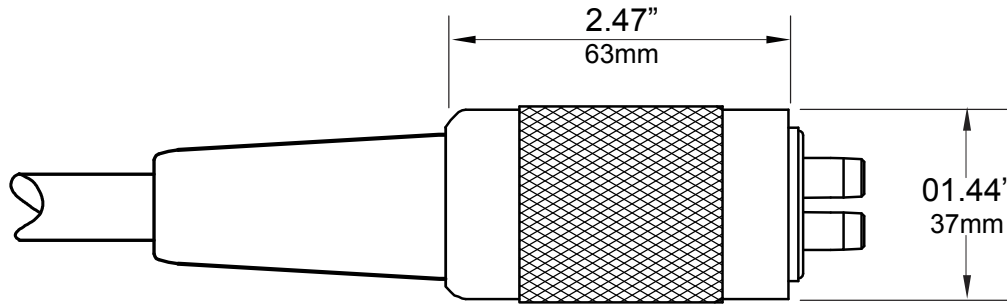
A choice of purpose-built cables incorporating high strength conductors such as cadmium, copper and copper-clad steel complement these field-proven connectors.

Geocable Systems
10711 Cash Road
Stafford, Texas 77477

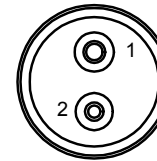
Phone: 281 275 6630
Fax: 281 240 5473
e-mail: info@geocables.com

'SU' Style In-line Connectors

Water Blocked

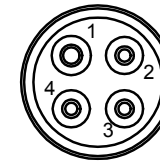


2 Pin Male



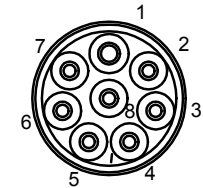
R-5800-100

4 Pin Male

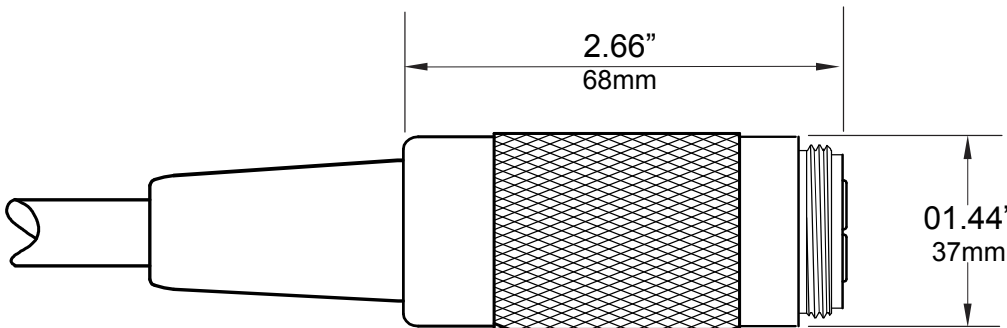


R-5800-200

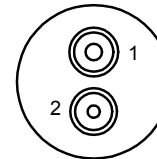
8 Pin Male



7650004

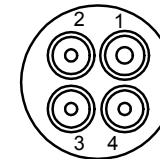


2 Pin Female



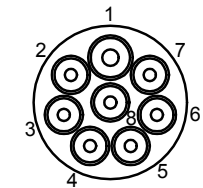
R-5800-101

4 Pin Female



R-5800-201

8 Pin Female



7650003

The Seiscon line of cable connectors and terminations sets the industry standard for durability and dependability in difficult operational environments.

Seiscon connectors are injection-molded directly onto purpose-built polyurethane-jacketed cable. This process produces an intimate fusion bond that results in an extremely rugged and durable cable assembly

suitable for harsh environments with high pressure-shock loading. High strength beryllium-copper contacts, bodies and locking sleeves of 316 stainless steel serve to further increase service life.

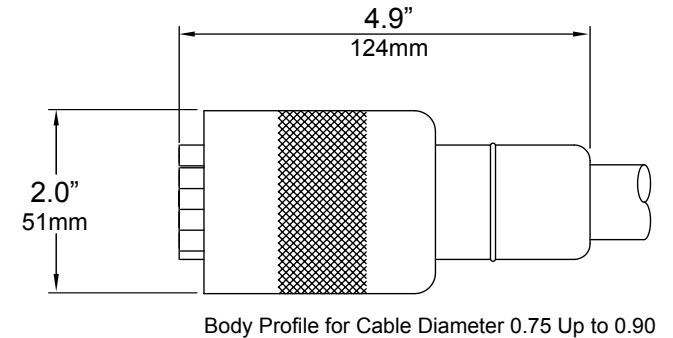
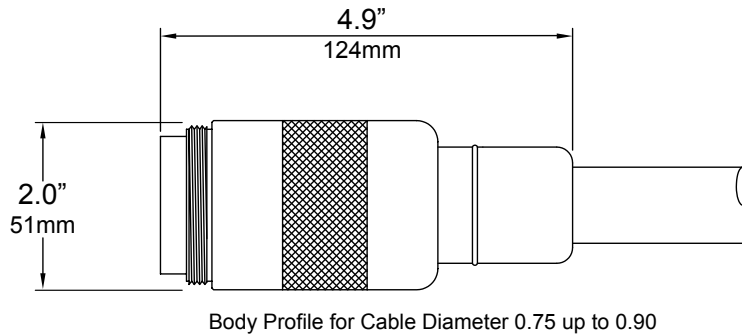
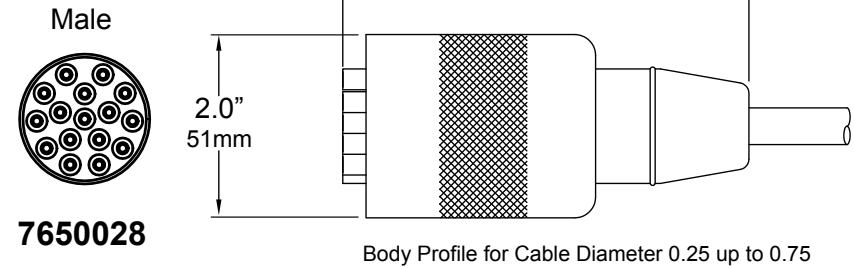
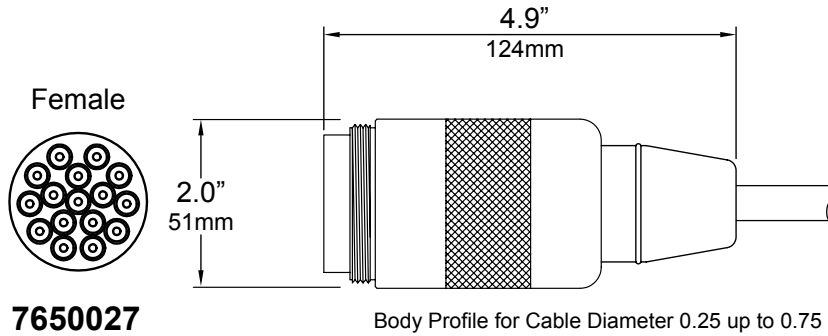
A choice of purpose-built cables incorporating high strength conductors such as cadmium, copper and copper-clad steel complement these field-proven connectors.

Geocable Systems
10711 Cash Road
Stafford, Texas 77477

Phone: 281 275 6630
Fax: 281 240 5473
e-mail: info@geocables.com

'SU' Style 16 pin In-line Connectors

Water Blocked



The Seiscon line of cable connectors and terminations sets the industry standard for durability and dependability in difficult operational environments.

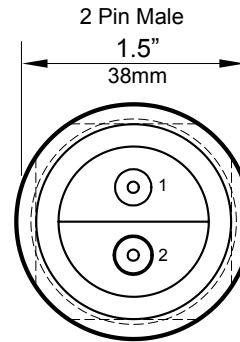
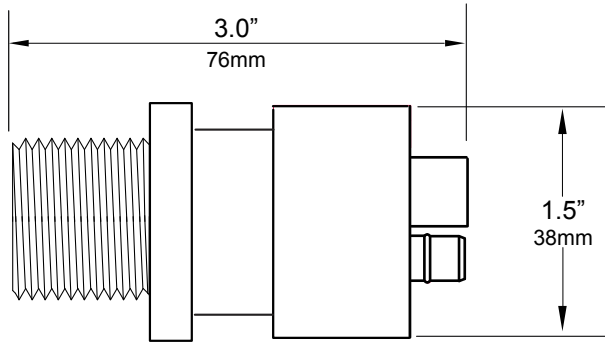
Seiscon connectors are injection-molded directly onto purpose-built polyurethane-jacketed cable. This process produces an intimate fusion bond that results in an extremely rugged and durable cable assembly

suitable for harsh environments with high pressure-shock loading. High strength beryllium-copper contacts, bodies and locking sleeves of 316 stainless steel serve to further increase service life.

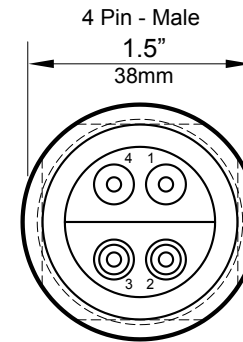
A choice of purpose-built cables incorporating high strength conductors such as cadmium, copper and copper-clad steel complement these field-proven connectors.

'RM' Style Bulkhead Connectors

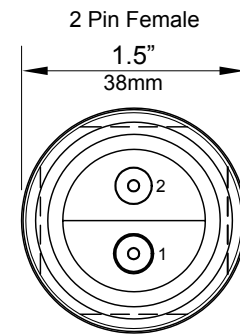
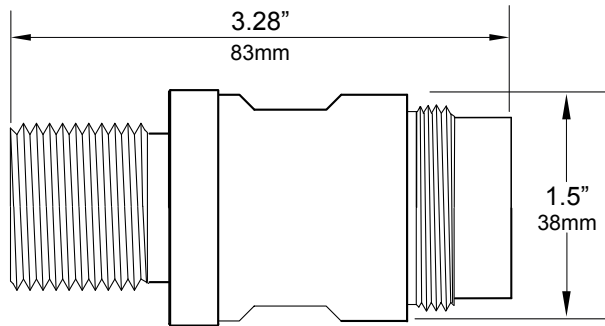
Straight Thread



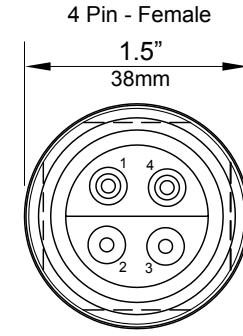
6500-104



6500-204



6500-304



6500-404

The Seiscon line of cable connectors and terminations sets the industry standard for durability and dependability in difficult operational environments.

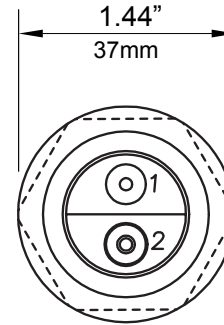
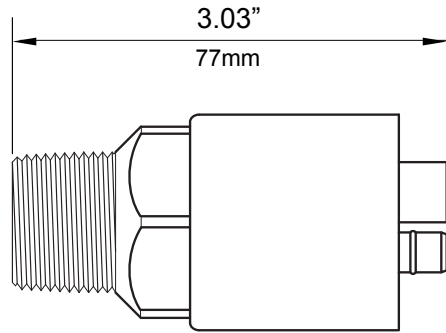
Seiscon connectors are injection-molded directly onto purpose-built polyurethane-jacketed cable. This process produces an intimate fusion bond that results in an extremely rugged and durable cable assembly

suitable for harsh environments with high pressure-shock loading. High strength beryllium-copper contacts, bodies and locking sleeves of 316 stainless steel serve to further increase service life.

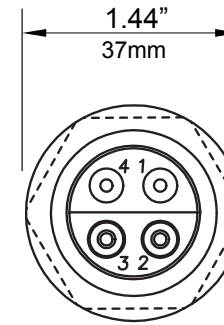
A choice of purpose-built cables incorporating high strength conductors such as cadmium, copper and copper-clad steel complement these field-proven connectors.

'RM' Style Bulkhead Connectors

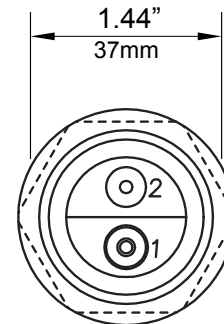
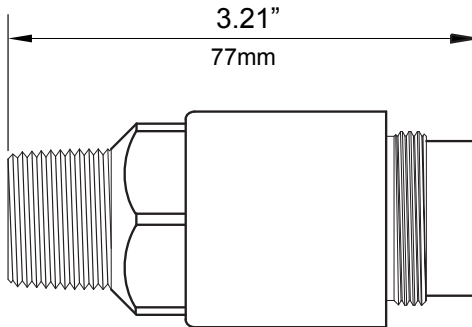
NPT Mount



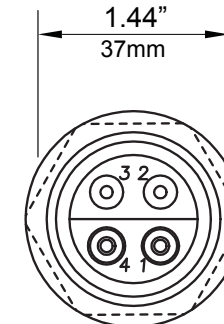
6500-101



6500-201



6500-301



6500-401

The Seiscon line of cable connectors and terminations sets the industry standard for durability and dependability in difficult operational environments.

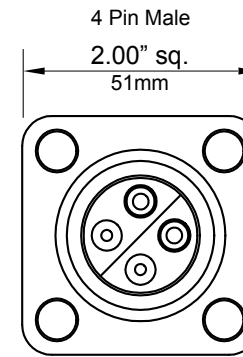
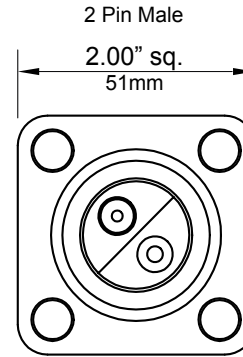
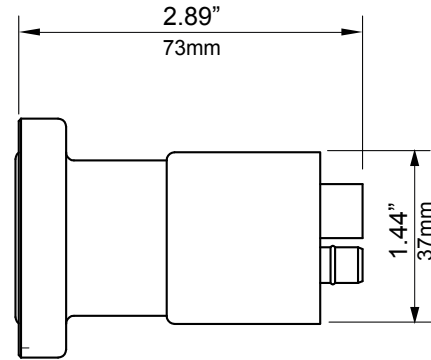
Seiscon connectors are injection-molded directly onto purpose-built polyurethane-jacketed cable. This process produces an intimate fusion bond that results in an extremely rugged and durable cable assembly

suitable for harsh environments with high pressure-shock loading. High strength beryllium-copper contacts, bodies and locking sleeves of 316 stainless steel serve to further increase service life.

A choice of purpose-built cables incorporating high strength conductors such as cadmium, copper and copper-clad steel complement these field-proven connectors.

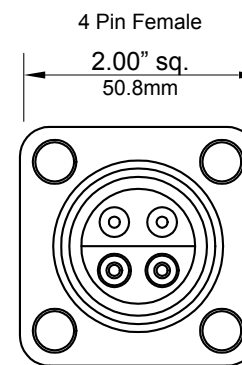
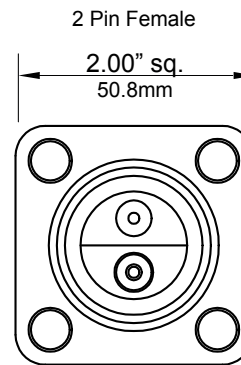
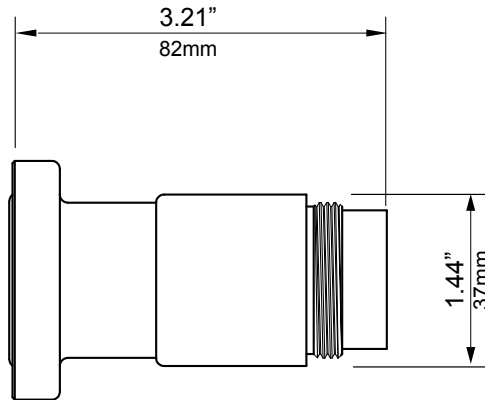
'RM' Style Bulkhead Connectors

Flange Mount



6500-100

6500-200



6500-300

6500-400

The Seiscon line of cable connectors and terminations sets the industry standard for durability and dependability in difficult operational environments.

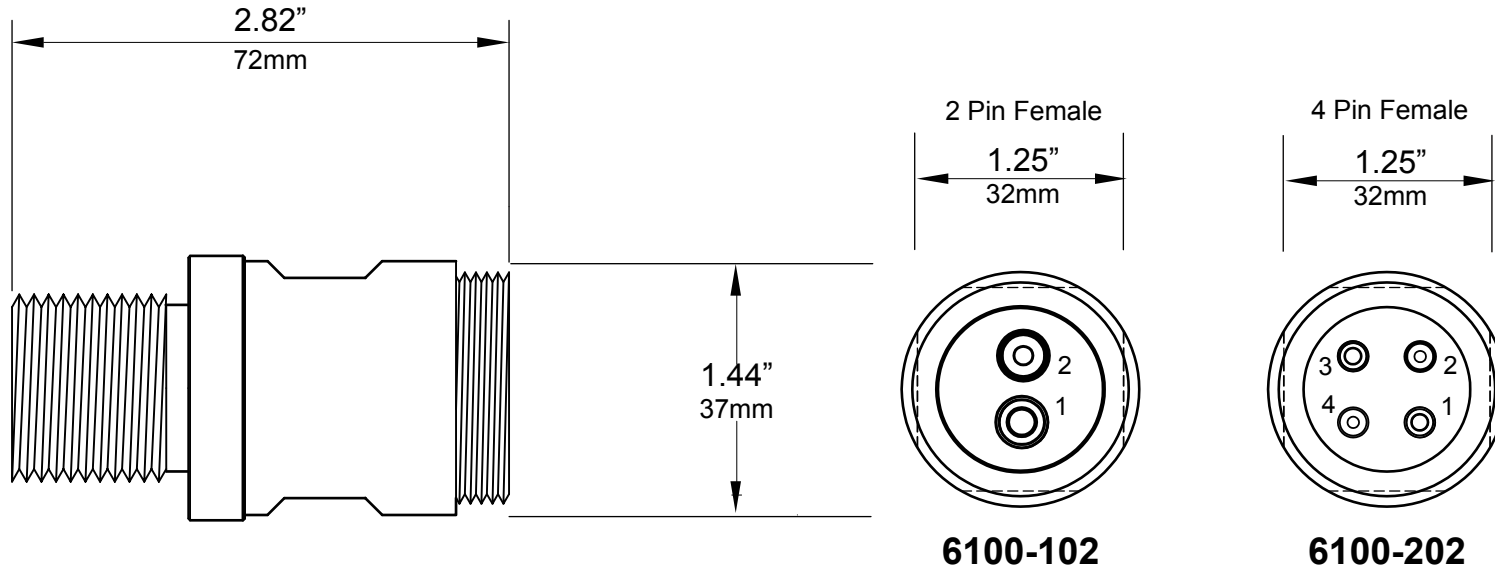
Seiscon connectors are injection-molded directly onto purpose-built polyurethane-jacketed cable. This process produces an intimate fusion bond that results in an extremely rugged and durable cable assembly

suitable for harsh environments with high pressure-shock loading. High strength beryllium-copper contacts, bodies and locking sleeves of 316 stainless steel serve to further increase service life.

A choice of purpose-built cables incorporating high strength conductors such as cadmium, copper and copper-clad steel complement these field-proven connectors.

'SU' Style Female Bulkhead Connectors

Straight Thread



The Seiscon line of cable connectors and terminations sets the industry standard for durability and dependability in difficult operational environments.

Seiscon connectors are injection-molded directly onto purpose-built polyurethane-jacketed cable. This process produces an intimate fusion bond that results in an extremely rugged and durable cable assembly

suitable for harsh environments with high pressure-shock loading. High strength beryllium-copper contacts, bodies and locking sleeves of 316 stainless steel serve to further increase service life.

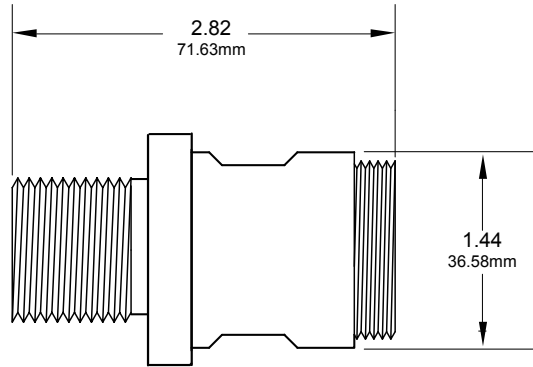
A choice of purpose-built cables incorporating high strength conductors such as cadmium, copper and copper-clad steel complement these field-proven connectors.

Geocable Systems
 10711 Cash Road
 Stafford, Texas 77477

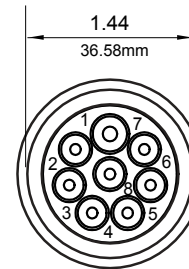
Phone: 281 275 6630
 Fax: 281 240 5473
 e-mail: info@geocables.com

'SU' Style Female Bulkhead Connectors

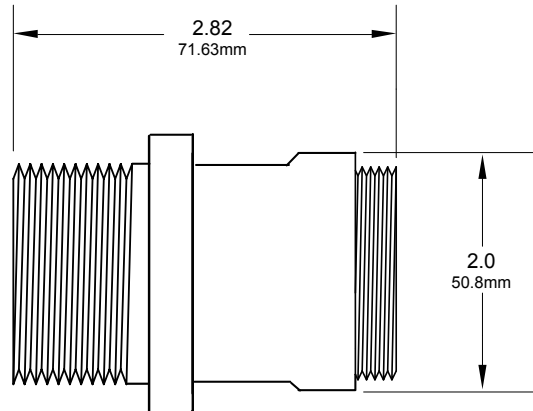
Straight Thread



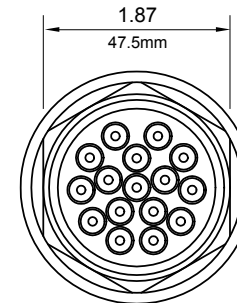
8 Pin Female



6100-302



16 Pin Female



6100-402

The Seiscon line of cable connectors and terminations sets the industry standard for durability and dependability in difficult operational environments.

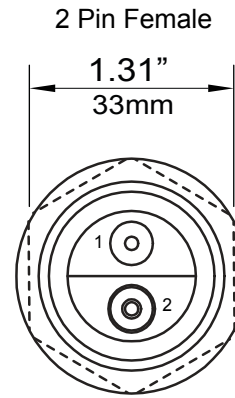
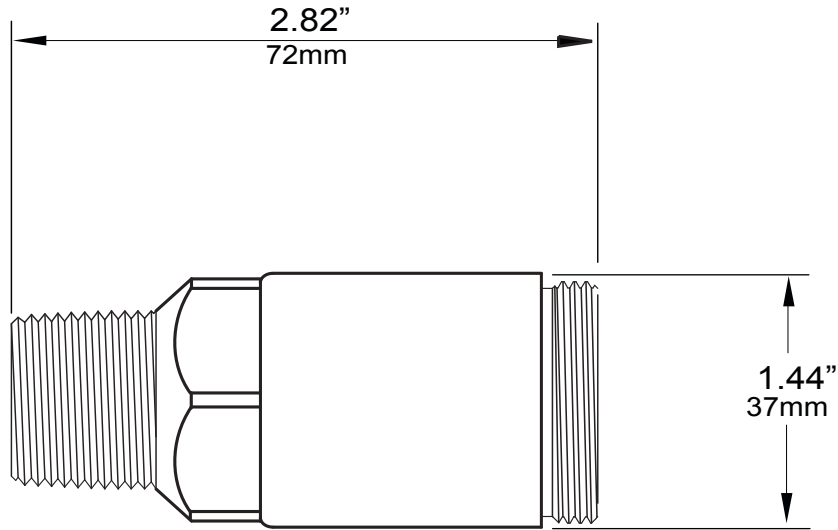
Seiscon connectors are injection-molded directly onto purpose-built polyurethane-jacketed cable. This process produces an intimate fusion bond that results in an extremely rugged and durable cable assembly

suitable for harsh environments with high pressure-shock loading. High strength beryllium-copper contacts, bodies and locking sleeves of 316 stainless steel serve to further increase service life.

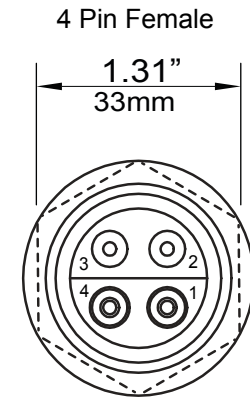
A choice of purpose-built cables incorporating high strength conductors such as cadmium, copper and copper-clad steel complement these field-proven connectors.

'SU' Style Bulkhead Connectors

NPT Mount



6100-101



6100-201

The Seiscon line of cable connectors and terminations sets the industry standard for durability and dependability in difficult operational environments.

Seiscon connectors are injection-molded directly onto purpose-built polyurethane-jacketed cable. This process produces an intimate fusion bond that results in an extremely rugged and durable cable assembly

suitable for harsh environments with high pressure-shock loading. High strength beryllium-copper contacts, bodies and locking sleeves of 316 stainless steel serve to further increase service life.

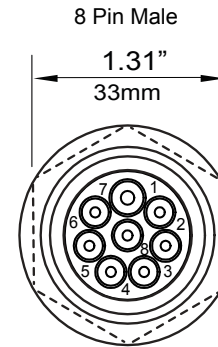
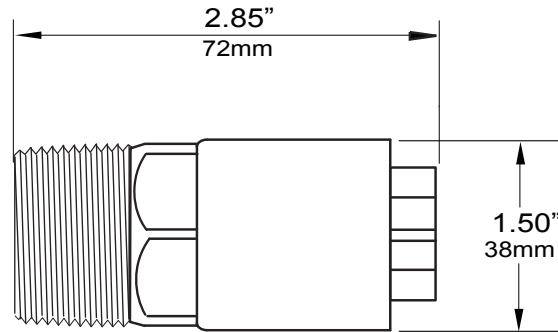
A choice of purpose-built cables incorporating high strength conductors such as cadmium, copper and copper-clad steel complement these field-proven connectors.

Geocable Systems
 10711 Cash Road
 Stafford, Texas 77477

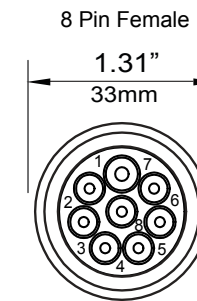
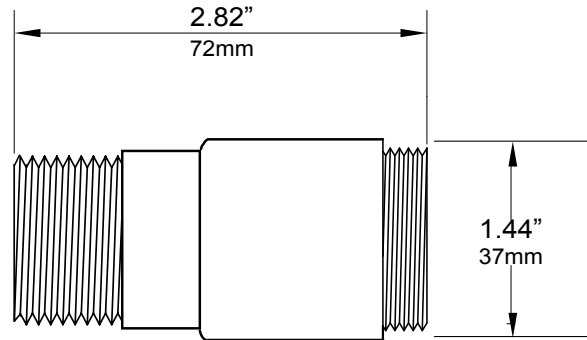
Phone: 281 275 6630
 Fax: 281 240 5473
 e-mail: info@geocables.com

'SU' Style 8 Pin Bulkhead Connectors

NPT Mount



6100-304



6100-301

The Seiscon line of cable connectors and terminations sets the industry standard for durability and dependability in difficult operational environments.

Seiscon connectors are injection-molded directly onto purpose-built polyurethane-jacketed cable. This process produces an intimate fusion bond that results in an extremely rugged and durable cable assembly

suitable for harsh environments with high pressure-shock loading. High strength beryllium-copper contacts, bodies and locking sleeves of 316 stainless steel serve to further increase service life.

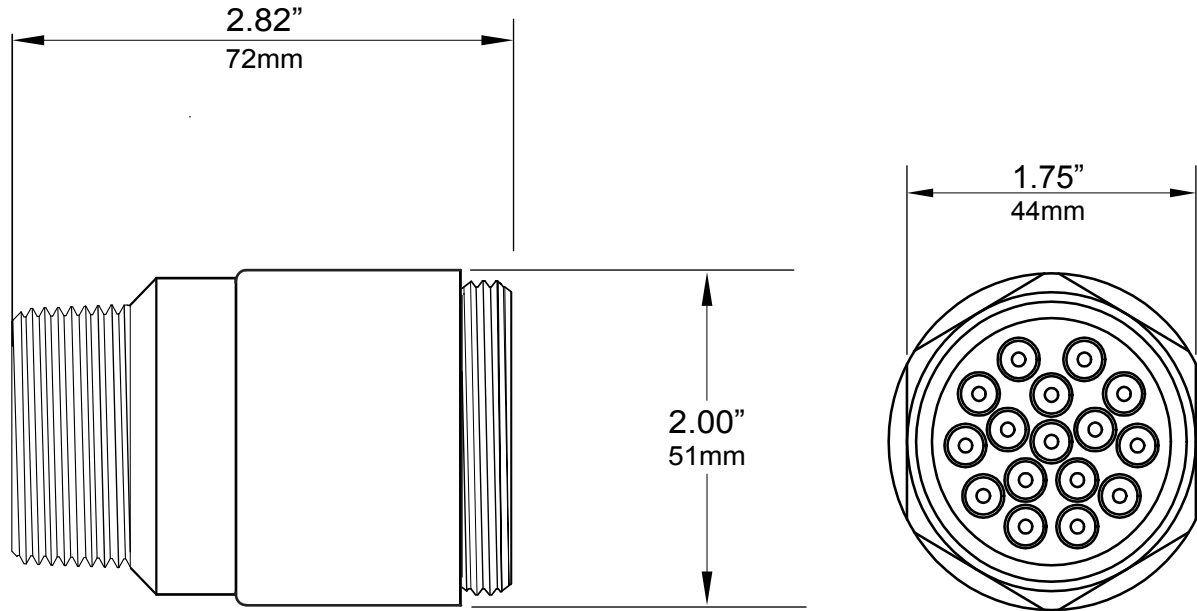
A choice of purpose-built cables incorporating high strength conductors such as cadmium, copper and copper-clad steel complement these field-proven connectors.

Geocable Systems
 10711 Cash Road
 Stafford, Texas 77477

Phone: 281 275 6630
 Fax: 281 240 5473
 e-mail: info@geocables.com

'SU' Style 16 Pin Bulkhead Connectors

NPT Mount



6100-401

The Seiscon line of cable connectors and terminations sets the industry standard for durability and dependability in difficult operational environments.

Seiscon connectors are injection-molded directly onto purpose-built polyurethane-jacketed cable. This process produces an intimate fusion bond that results in an extremely rugged and durable cable assembly

suitable for harsh environments with high pressure-shock loading. High strength beryllium-copper contacts, bodies and locking sleeves of 316 stainless steel serve to further increase service life.

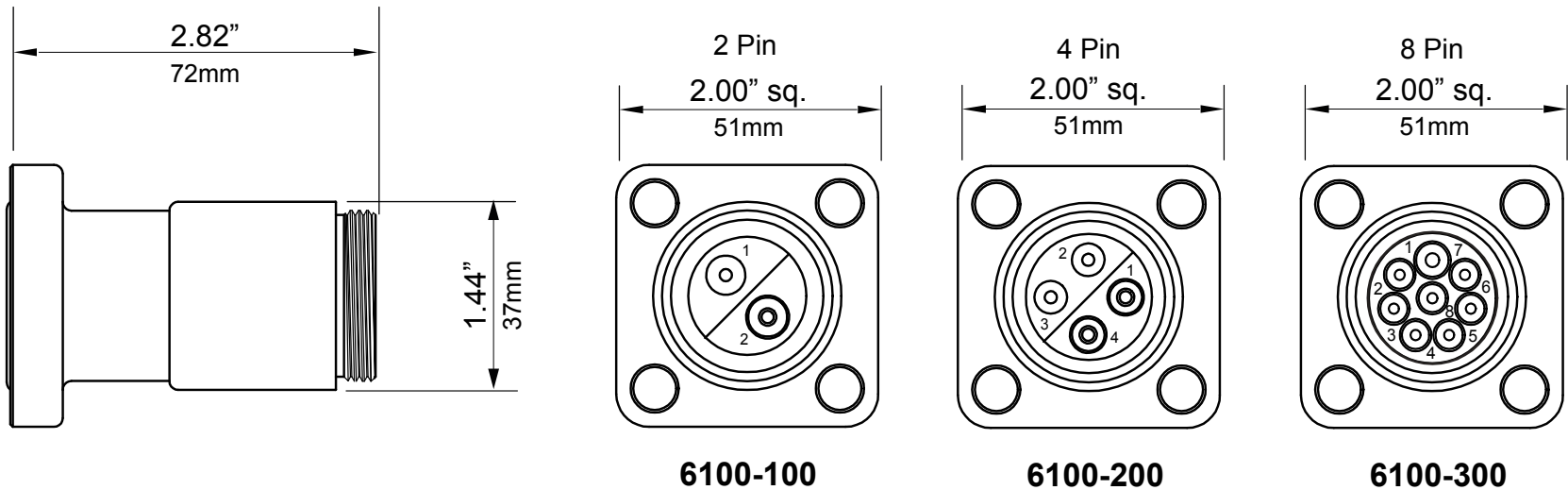
A choice of purpose-built cables incorporating high strength conductors such as cadmium, copper and copper-clad steel complement these field-proven connectors.

Geocable Systems
 10711 Cash Road
 Stafford, Texas 77477

Phone: 281 275 6630
 Fax: 281 240 5473
 e-mail: info@geocables.com

'SU' Style Female Bulkhead Connectors

Flange Mount



The Seiscon line of cable connectors and terminations sets the industry standard for durability and dependability in difficult operational environments.

Seiscon connectors are injection-molded directly onto purpose-built polyurethane-jacketed cable. This process produces an intimate fusion bond that results in an extremely rugged and durable cable assembly

suitable for harsh environments with high pressure-shock loading. High strength beryllium-copper contacts, bodies and locking sleeves of 316 stainless steel serve to further increase service life.

A choice of purpose-built cables incorporating high strength conductors such as cadmium, copper and copper-clad steel complement these field-proven connectors.

Geocable Systems
 10711 Cash Road
 Stafford, Texas 77477

Phone: 281 275 6630
 Fax: 281 240 5473
 e-mail: info@geocables.com